

Waterproof LED Downlight



LIGHTING SOLUTIONS
LED DOWNLIGHTS
LED TRACKING LIGHTS



Contents

Radar LED Downlight

05-07



Sensor LED Downlight

09



Spacecraft LED Downlight

10-11



Satellite LED Ceiling Light

12-14



LED Tracking Light

15-16



LED Round Panel Light

17-18



LED Square Panel Light

19-20



LED Grill Light

21-22



Company Profile



LED Assembly Line



Aging Test for LED Tracking Lights



Aging Test of LED SMD Downlight



LED Integrating Sphere



Aging Test of LED COB Downlight



Temperature Controller



Aging and Life Test System for (Package, Array and Module)



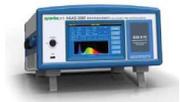
Aging Test of LED SMD Panel Light



Aging Test of LED Tracking Light



LED Driver Test



High Accuracy Array Spectroradiometer



Digital Power Meter



Illuminance Meter

Welcome to HS Lights

Manufacturer of LED lights in Jebel Ali, Dubai.

HS Lights FZCO is a professional manufacturer engaged in researching, developing, manufacturing and selling of LED Lighting.

We are the first fully equipped LED assembly factory in the UAE. Complete in-house facility from R&D to manufacturing.

Wide range of products to suit various customer needs. Strong existing customer credentials HS Lights provide the most versatile, best in class and cost effective LED Lighting solutions for various applications.

The main products include: LED Spotlights, LED Down Lights, LED Bulbs, LED Panel Lights, LED Tubes, LED Dimmable Lights, Street Lights and other Indoor and Outdoor Lighting.

The purpose is to create a very good lighting environment. We are well reputed from domestic and oversea customers for our high quality products and great after-sale service.

HS Lights have a proven track record of assisting utilities and companies realize the potential business benefits of LED lighting technology.

All our products are manufactured strictly in accordance with ISO-9001. We have developed and introduced advanced techniques and test standards, which assure our products are of a very high quality.



**Waterproof Downlight
IP65**



Radar I COB Downlight

Product Features

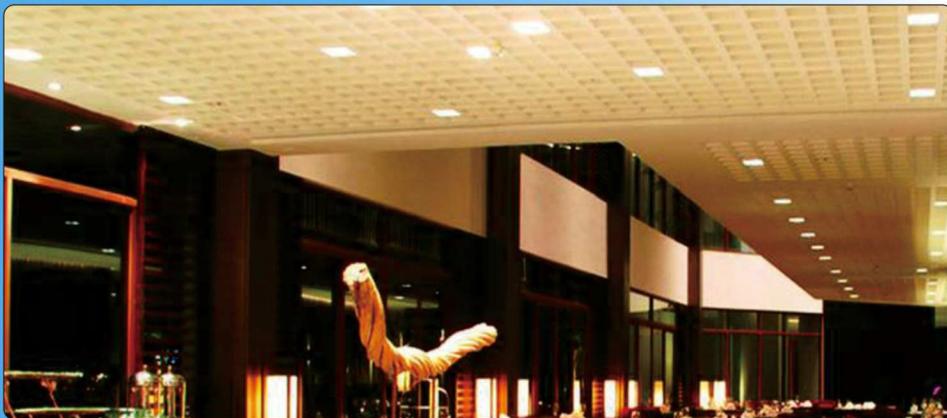
1. COB source
2. High efficiency, High CRI, Ra > 80
3. Unique profile, novelty design
4. Anti-glare design
5. Long lifespan to 30000 hours
6. Dimmable for option
7. With TUV, SAA CE ROHS certifications

Application Areas

Hotel, Shopping mall, Exclusive shop, Restaurants
Beauty salon, Museum and other indoor lighting using



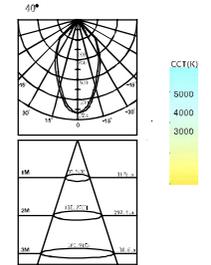
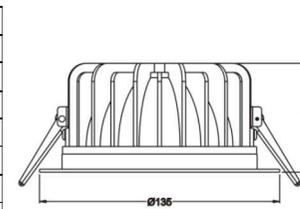
Details



Φ113 IP65

TUV SAA CE ROHS

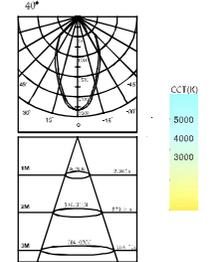
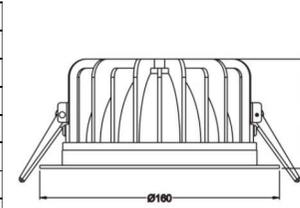
Model	HSL-DLC401XW-16
Power	16W
CRI	RA>80°
Beam Angel	40°
Luminous Flux (lm)	>1100lm
Light Source	COB
Hole Size	Φ113mm
Product Size	Φ160*78mm
Input Voltage	AC100-240V



Φ137 IP65

TUV SAA CE ROHS

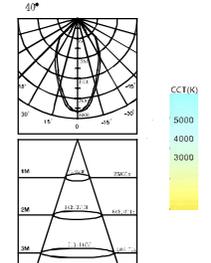
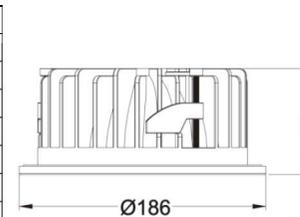
Model	HSL-DLC401XW-22
Power	22W
CRI	RA>80°
Beam Angel	40°
Luminous Flux (lm)	>1650lm
Light Source	COB
Hole Size	Φ137mm
Product Size	Φ160*78mm
Input Voltage	AC100-240V



Φ162 IP65

TUV SAA CE ROHS

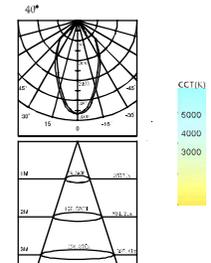
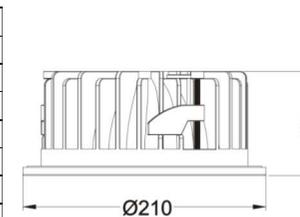
Model	HSL-DLC401XW-30
Power	30W
CRI	RA>80°
Beam Angel	40°
Luminous Flux (lm)	>2100lm
Light Source	COB
Hole Size	Φ162mm
Product Size	Φ186*90mm
Input Voltage	AC100-240V



Φ184 IP65

TUV SAA CE ROHS

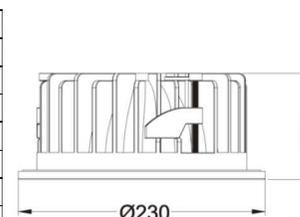
Model	HSL-DLC601XW-40
Power	40W
CRI	RA>80°
Beam Angel	40°
Luminous Flux (lm)	>2800lm
Light Source	COB
Hole Size	Φ184mm
Product Size	Φ210*91mm
Input Voltage	AC100-240V



Φ208 IP65

TUV SAA CE ROHS

Model	HSL-DLC501XW-50
Power	50W
CRI	RA>80°
Beam Angel	40°
Luminous Flux (lm)	>3700lm
Light Source	COB
Hole Size	Φ208mm
Product Size	Φ230*102mm
Input Voltage	AC100-240V



Radar II SMD Downlight

Product Features

1. SMD source
2. High efficiency, High CRI, Ra > 80
3. Unique profile, novelty design
4. Lights soft and uniformity
5. Long lifespan to 30000 hours
6. Dimmable for option
7. With ERPTUV, SAA, CE, ROHS certifications

Application Areas

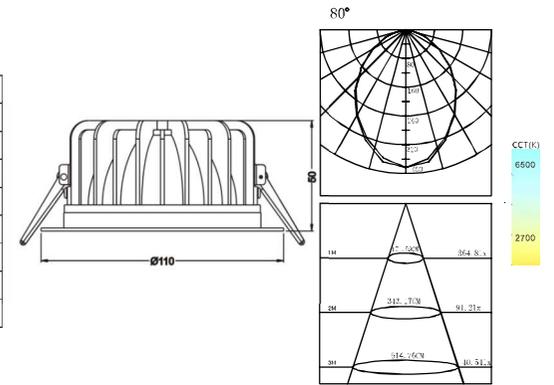
Hotel, Shopping mall, Exclusive shop, Restaurants
Beauty salon, Museum and other indoor lighting using



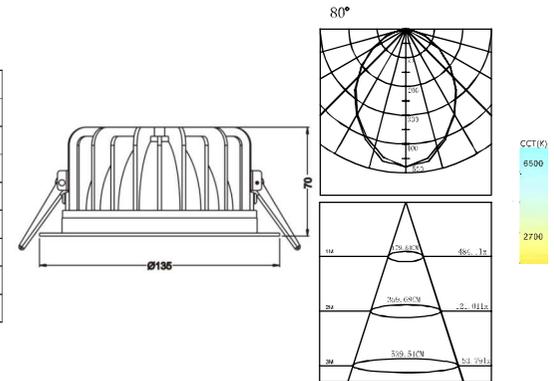
Details



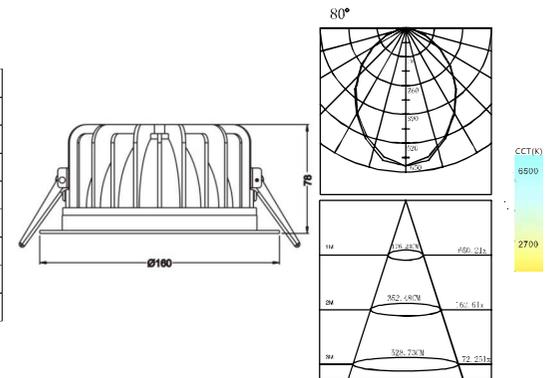
Model	HSL-DL303XW-09
Power	9W
CRI	RA>80
Beam Angel	80°
Luminous Flux (lm)	>700lm
Light Source	SMD2835
Hole Size	Φ98 mm
Product Size	Φ110*50mm
Input Voltage	AC100-240V



Model	HSL-DL3603XW-12
Power	16W
CRI	RA>80
Beam Angel	80°
Luminous Flux (lm)	>950lm
Light Source	SMD2835
Hole Size	Φ113mm
Product Size	Φ135*78mm
Input Voltage	AC100-240V



Model	HSL-DL403XW-15
Power	15W
CRI	RA>80
Beam Angel	80°
Luminous Flux (lm)	≥1200lm
Light Source	SMD2835
Hole Size	Φ137 mm
Product Size	Φ160*78mm
Input Voltage	AC100-240V

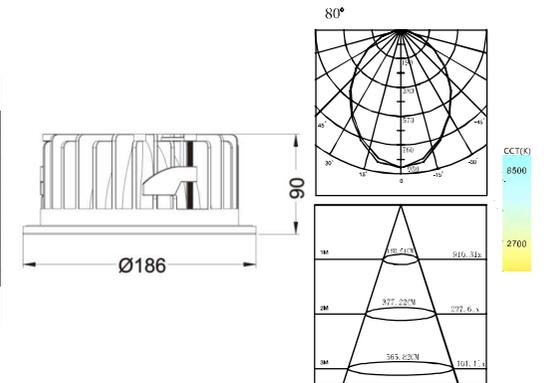


Radars II SMD Downlight

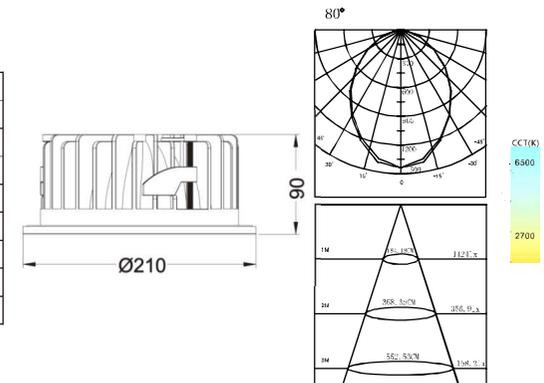
Brand new design philosophy, sharp artistic feeding and enterprising spirit make us confident to perfectly integrate commercial value with artistic quality



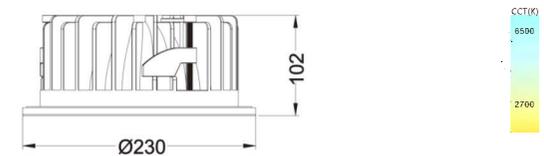
Model	HSL-DL503XW-22
Power	22W
CRI	RA>80
Beam Angle	80°
Luminous Flux (lm)	>1800lm
Light Source	SMD2835
Hole Size	Φ162mm
Product Size	Φ186*90mm
Input Voltage	AC100-240V



Model	HSL-DL603XW-30
Power	30W
CRI	RA>80
Beam Angle	80°
Luminous Flux (lm)	>2800lm
Light Source	SMD2835
Hole Size	Φ184mm
Product Size	Φ210*90mm
Input Voltage	AC100-240V



Model	HSL-DL803XW-40
Power	40W
CRI	RA>80
Beam Angle	80°
Luminous Flux (lm)	>3850lm
Light Source	SMD2835
Hole Size	Φ208mm
Product Size	Φ230*102mm
Input Voltage	AC100-240V



Sensor LED Downlight



Sensor LED Downlight

Product Features

1. SMD source
2. High efficiency, High CRI, Ra > 80
3. Unique profile, novelty design
4. Lights soft and uniformity
5. Long lifespan to 30000 hours
6. PIR sensor, with diameter 6 meters
7. With CE, ROHS certifications

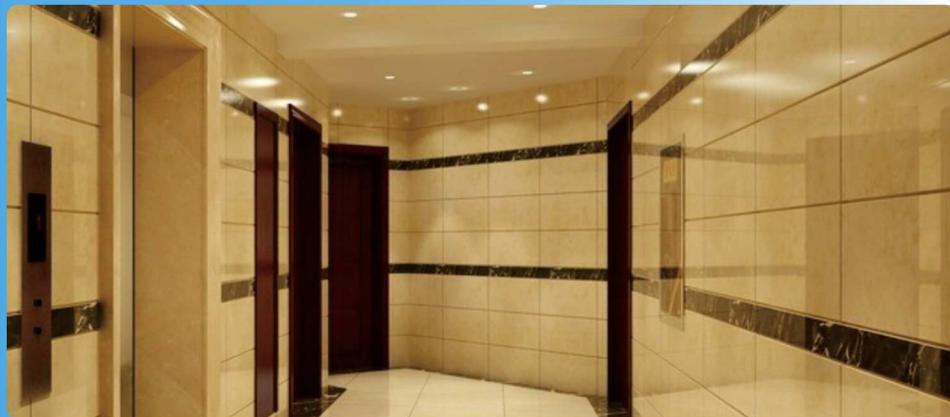


Details

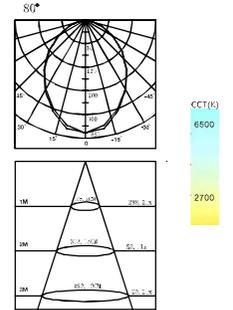
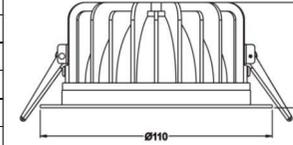


Application Areas

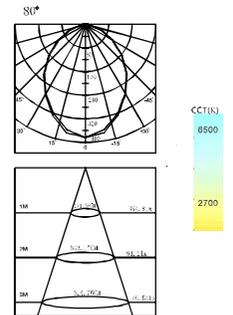
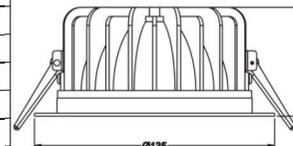
Between corridor, wash-room, balconies, basement etc.



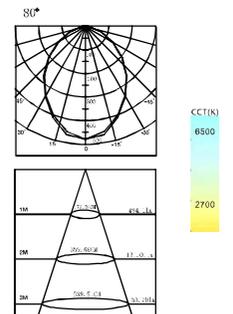
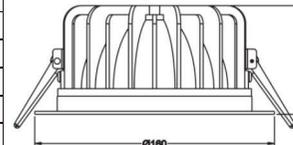
Model	HSL-DLG03XW-7
Power	7W
CRI	RA>80°
Beam Angle	80°
Luminous Flux (lm)	>500lm
Light Source	SMD2835
Hole Size	Φ98mm
Product Size	Φ110*50mm
Input Voltage	AC100-240V



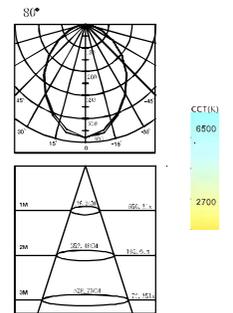
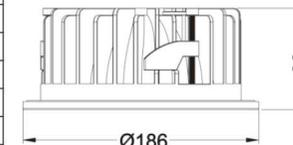
Model	HSL-DLG03XW-09
Power	9W
CRI	RA>80°
Beam Angle	80°
Luminous Flux (lm)	>700lm
Light Source	SMD2835
Hole Size	Φ113mm
Product Size	Φ135*70mm
Input Voltage	AC100-240V



Model	HSL-DLG403XW-12
Power	12W
CRI	RA>80°
Beam Angle	80°
Luminous Flux (lm)	>950lm
Light Source	SMD2835
Hole Size	Φ137mm
Product Size	Φ160*78mm
Input Voltage	AC100-240V



Model	HSL-DLG03XW-15
Power	15W
CRI	RA>80°
Beam Angle	80°
Luminous Flux (lm)	>1200lm
Light Source	SMD2835
Hole Size	Φ162mm
Product Size	Φ186*90mm
Input Voltage	AC100-240V



SMD Downlight Spacecraft I

Product Features

1. SMD source
2. High efficiency, High CRI, Ra > 80
3. Lights soft and uniformity
4. Long lifespan to 30000 hours
5. Dimmable for option
6. With SAA, CE, ROHS certifications



Details



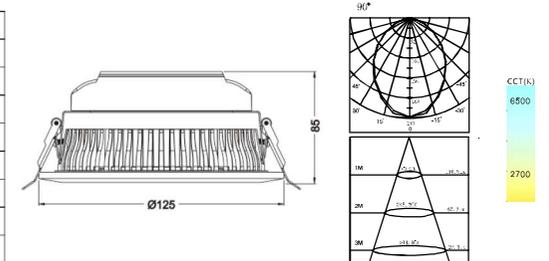
Application Areas

Hotel, Shopping mall, Exclusive shop, Restaurants
Beauty salon, Museum and other indoor lighting using



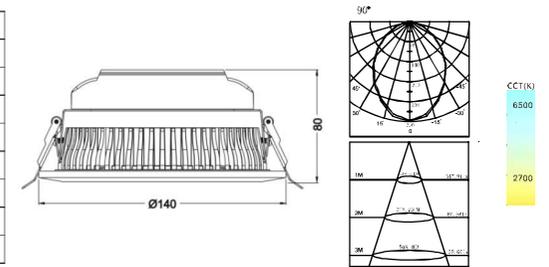
Φ90

Model	HSL-DL301XW-07
Power	7W
CRI	RA>80
Beam Angle	90°
Luminous Flux (lm)	>500lm
Light Source	SMD2835
Hole Size	Φ90mm
Product Size	Φ125*85mm
Input Voltage	AC100-240V



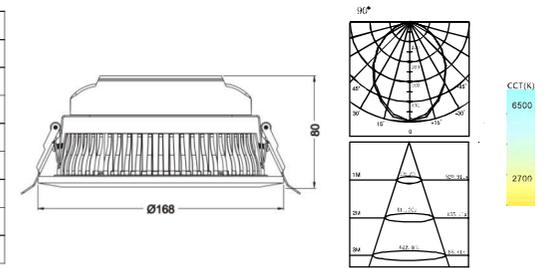
Φ120

Model	HSL-DL401XW-12
Power	12W
CRI	RA>80
Beam Angle	90°
Luminous Flux (lm)	>900lm
Light Source	SMD2835
Hole Size	Φ120mm
Product Size	Φ140*80mm
Input Voltage	AC100-240V



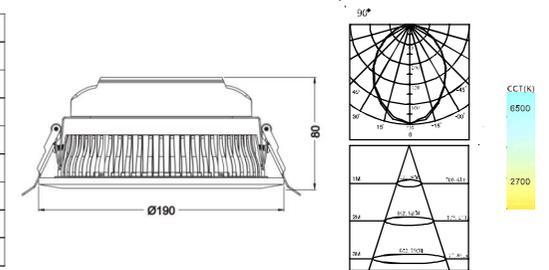
Φ145

Model	HSL-DL501XW-15
Power	7W
CRI	RA>80
Beam Angle	90°
Luminous Flux (lm)	>500lm
Light Source	SMD2835
Hole Size	Φ145mm
Product Size	Φ165*80mm
Input Voltage	AC100-240V



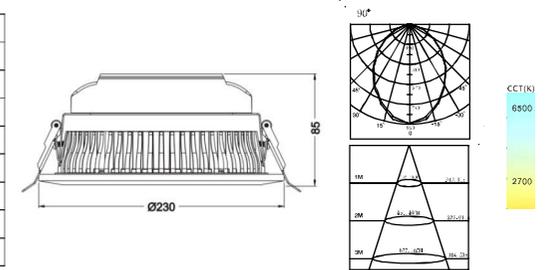
Φ165

Model	HSL-DL601XW-20
Power	20W
CRI	RA>80
Beam Angle	90°
Luminous Flux (lm)	>1800lm
Light Source	SMD2835
Hole Size	Φ165mm
Product Size	Φ190*80mm
Input Voltage	AC100-240V



Φ210

Model	HSL-DL801XW-25
Power	25W
CRI	RA>80
Beam Angle	90°
Luminous Flux (lm)	>2200lm
Light Source	SMD2835
Hole Size	Φ210mm
Product Size	Φ230*85mm
Input Voltage	AC100-240V



SMD Downlight Spacecraft II

Product Features

1. SMD source
2. High efficiency, High CRI, Ra > 80
3. Lights soft and uniformity
4. Long lifespan to 30000 hours
5. Dimmable for option
6. With SAA, CE, ROHS certifications



Details



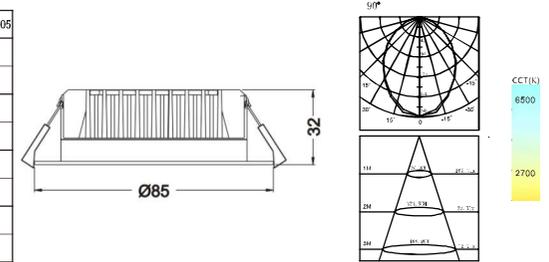
Application Areas

Hotel, Shopping mall, Exclusive shop, Restaurants
Beauty salon, Museum and other indoor lighting using



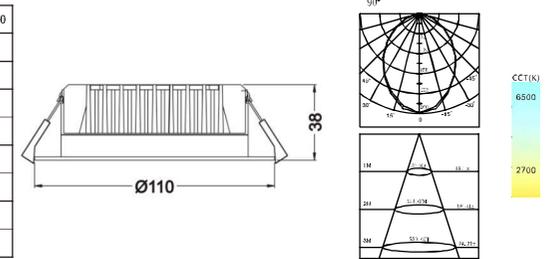
Φ70

Model	HSL-DL2505KW-05
Power	5W
CRI	RA>80
Beam Angel	90°
Luminous Flux (lm)	>400lm
Light Source	SMD2835
Hole Size	Φ70mm
Product Size	Φ85*32mm
Input Voltage	AC100-240V



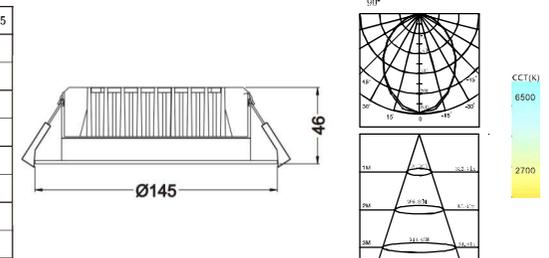
Φ90

Model	HSL-DL305KW-10
Power	10W
CRI	RA>80
Beam Angel	90°
Luminous Flux (lm)	>800lm
Light Source	SMD2835
Hole Size	Φ90mm
Product Size	Φ110*38mm
Input Voltage	AC100-240V



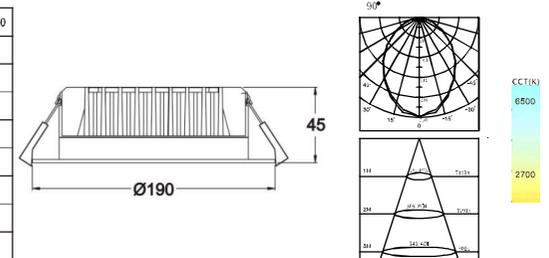
Φ120

Model	HSL-DL405KW-15
Power	15W
CRI	RA>80
Beam Angel	90°
Luminous Flux (lm)	>1200lm
Light Source	SMD2835
Hole Size	Φ120mm
Product Size	Φ145*46mm
Input Voltage	AC100-240V



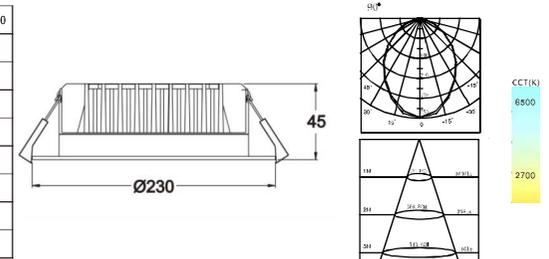
Φ160

Model	HSL-DL605KW-20
Power	20W
CRI	RA>80
Beam Angel	90°
Luminous Flux (lm)	>1800lm
Light Source	SMD2835
Hole Size	Φ160mm
Product Size	Φ190*45mm
Input Voltage	AC100-240V



Φ200

Model	HSL-DL805KW-30
Power	30W
CRI	RA>80
Beam Angel	90°
Luminous Flux (lm)	>2700lm
Light Source	SMD2835
Hole Size	Φ200mm
Product Size	Φ230*45mm
Input Voltage	AC100-240V



Satellite I COB Downlight

Product Features

1. COB source
2. High efficiency, High CRI, Ra > 80
3. Fins design, be good for heat dissipation
4. Suitable for various mounting rings, anti-glare design
5. Long lifespan to 30000 hours
6. Dimmable for option
7. With TUV, SAA, CE, ECHS certifications



Details

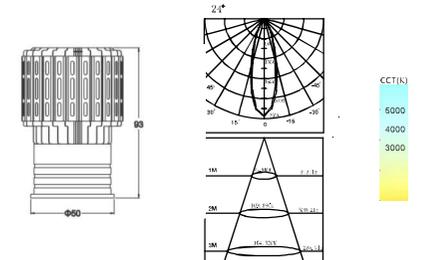


Application Areas

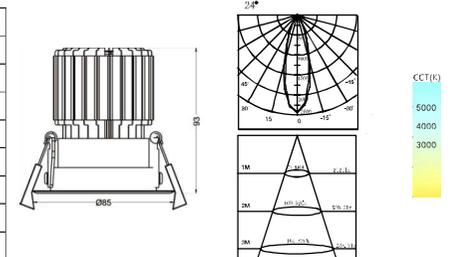
Hotel, Shopping mall, Exclusive shop, Restaurants
Beauty salon, Museum and other indoor lighting using



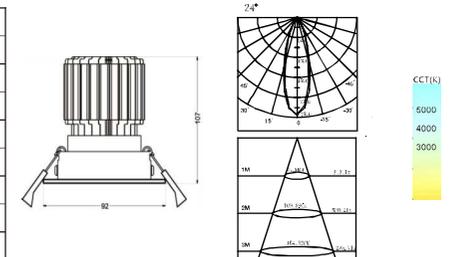
Model	HSL-CLMR16XW-12	HSL-CLMR16XW-15
Power	12W	15W
CRI	RA>80	RA>80
Beam Angel	24° 36° 60°	24° 36° 60°
Luminous Flux (lm)	>720lm	>1000lm
Light Source	COB	COB
Product Size	Φ50*93mm	Φ50*93mm
Input Voltage	AC100-240V	AC100-240V



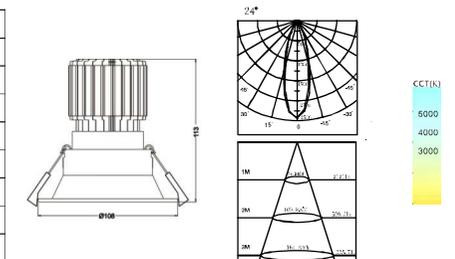
Model	HSL-CL101XW-12	HSL-CL101XW-15
Power	12W	15W
CRI	RA>80	RA>80
Beam Angel	24° 36° 60°	24° 36° 60°
Luminous Flux (lm)	>720lm	>1000lm
Light Source	COB	COB
Hole Size	Φ75mm	Φ75mm
Product Size	Φ85*93mm	Φ85*93mm
Input Voltage	AC100-240V	AC100-240V



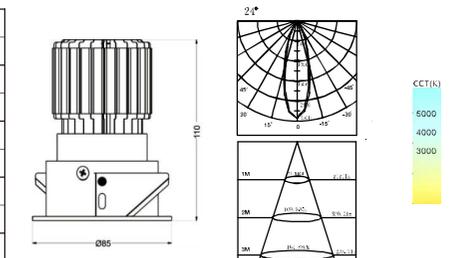
Model	HSL-CL102XW-12	HSL-CL102XW-15
Power	12W	15W
CRI	RA>80	RA>80
Beam Angel	24° 36° 60°	24° 36° 60°
Luminous Flux (lm)	>720lm	>1000lm
Light Source	COB	COB
Hole Size	Φ80mm	Φ80mm
Product Size	92*107mm	92*107mm
Input Voltage	AC100-240V	AC100-240V



Model	HSL-CL103XW-12	HSL-CL103XW-15
Power	12W	15W
CRI	RA>80	RA>80
Beam Angel	24° 36° 60°	24° 36° 60°
Luminous Flux (lm)	>720lm	>1000lm
Light Source	COB	COB
Hole Size	Φ90mm	Φ90mm
Product Size	Φ108*113mm	Φ108*113mm
Input Voltage	AC100-240V	AC100-240V



Model	HSL-CL104XW-12	HSL-CL104XW-15
Power	12W	15W
CRI	RA>80	RA>80
Beam Angel	24° 36° 60°	24° 36° 60°
Luminous Flux (lm)	>720lm	>1000lm
Light Source	COB	COB
Hole Size	Φ80mm	Φ80mm
Product Size	Φ95*110mm	Φ85*110mm
Input Voltage	AC100-240V	AC100-240V



Satellite I COB Downlight

Product Features

1. COB source
2. High efficiency, High CRI, Ra > 80
3. Fins design, be good for heat dissipation
4. High power, High lumen
5. Long lifespan to 30000 hours
6. Dimmable for option
7. With CE, ROHS certifications



Details

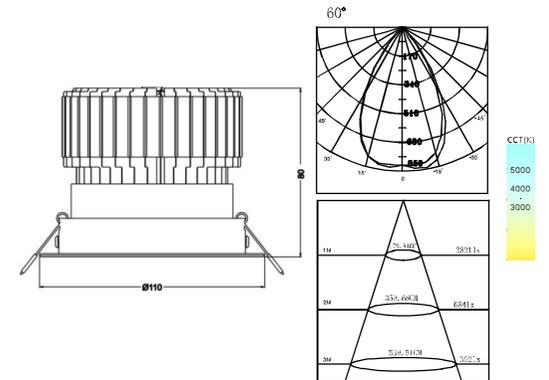


Application Areas

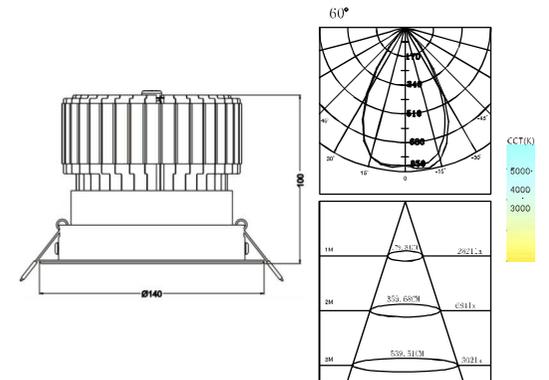
Hotel, Shopping mall, Exclusive shop, Restaurants
Beauty salon, Museum and other indoor lighting using



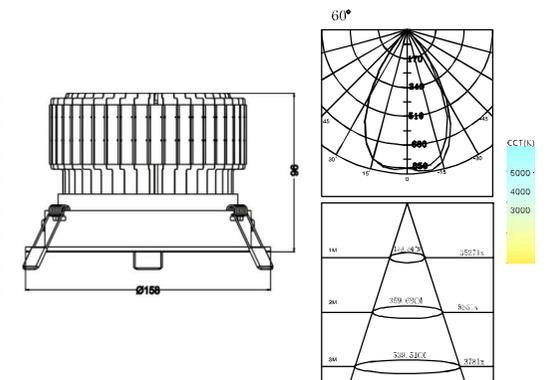
Model	HSL-CL105XW-30
Power	30W
CRI	RA>80
Beam Angel	60°
Luminous Flux (lm)	>2000lm
Light Source	COB
Hole Size	Φ95mm
Product Size	Φ110*80mm
Input Voltage	AC100-240V



Model	HSL-CL106XW-40
Power	40W
CRI	RA>80
Beam Angel	60°
Luminous Flux (lm)	>2800lm
Light Source	COB
Hole Size	Φ125mm
Product Size	Φ140*100mm
Input Voltage	AC100-240V



Model	HSL-CL107XW-50
Power	50W
CRI	RA>80
Beam Angel	60°
Luminous Flux (lm)	>3500lm
Light Source	COB
Hole Size	Φ145mm
Product Size	Φ158*96mm
Input Voltage	AC100-240V



Satellite II COB Downlight

Product Features

1. COB source
2. High efficiency, High CRI, Ra > 80
3. Fins design, be good for heat dissipation
4. Long lifespan to 30000 hours
5. Dimmable for option
6. With CE, ROHS certifications



Details

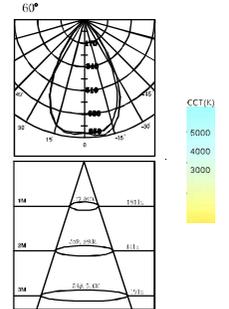
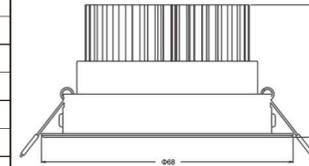


Application Areas

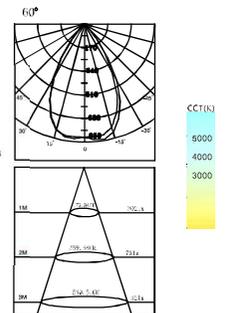
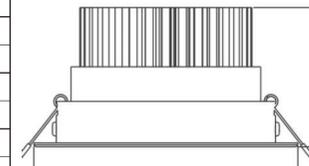
Hotel, Shopping mall, Exclusive shop, Restaurants
Beauty salon, Museum and other indoor lighting using



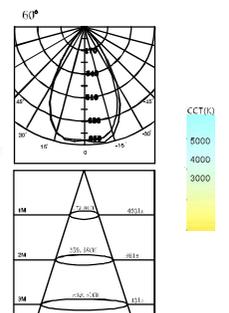
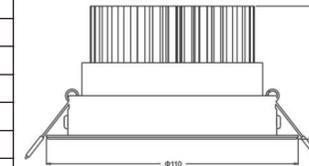
Model	HSL-CL201XW-03
Power	3W
CRI	RA>80
Beam Angel	60°
Luminous Flux (lm)	>180lm
Light Source	COB
Hole Size	Φ55mm
Product Size	Φ68*45mm
Input Voltage	AC100-240V



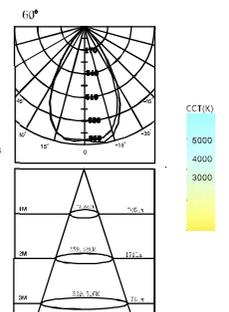
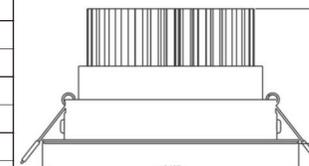
Model	HSL-CL202XW-05
Power	5W
CRI	RA>80
Beam Angel	60°
Luminous Flux (lm)	>300lm
Light Source	COB
Hole Size	Φ75mm
Product Size	Φ88*45mm
Input Voltage	AC100-240V



Model	HSL-CL203XW-07
Power	7W
CRI	RA>80
Beam Angel	60°
Luminous Flux (lm)	>490lm
Light Source	COB
Hole Size	Φ95mm
Product Size	Φ110*65mm
Input Voltage	AC100-240V



Model	HSL-CL204XW-12
Power	12W
CRI	RA>80
Beam Angel	60°
Luminous Flux (lm)	>600lm
Light Source	COB
Hole Size	Φ120mm
Product Size	Φ135*65mm
Input Voltage	AC100-240V



LED Tracklight COB Lighting

Product Features

1. COB source
2. High efficiency, High CRI, Ra > 80
3. With Fins design, be good for heat dissipation
4. Use with 2 circuit or 3 circuit track available
5. High power, High lumen
5. Dimmable for option
6. With CE, ROHS certifications



Details

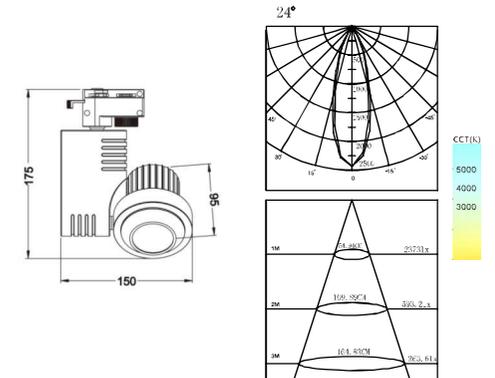


Application Areas

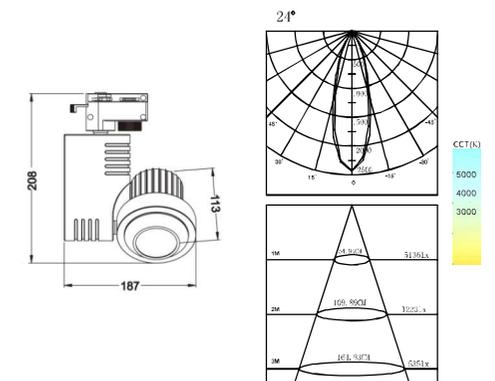
Hotel, Shopping mall, Exclusive shop, Restaurants
Beauty salon, Museum and other indoor lighting using



Model	HSL-GD151XW-15
Power	15W
CRI	RA>80
Beam Angel	24°-36°
Luminous Flux (lm)	>1200lm
Light Source	COB
Product Size	175*150*95mm
Input Voltage	AC100-240V



Model	HSL-GD3011XW-30
Power	30W
CRI	RA>80
Beam Angel	24°-36°
Luminous Flux (lm)	>2100lm
Light Source	COB
Product Size	208*187*113mm
Input Voltage	AC100-240V



LED Tracklight COB Lighting

Product Features

1. COB source
2. High efficiency, High CRI, Ra > 80
3. With Fins design, be good for heat dissipation
4. Use with 2 circuit or 3 circuit track available
5. High power, High lumen
5. Dimmable for option
6. With CE, ROHS certifications

Application Areas

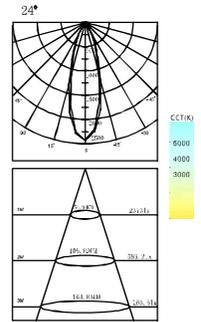
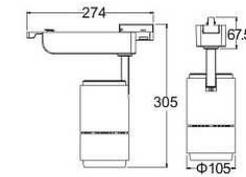
Hotel, Shopping mall, Exclusive shop, Restaurants
Beauty salon, Museum and other indoor lighting using



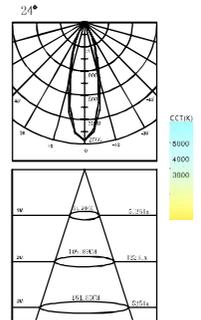
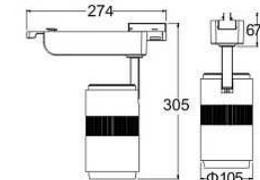
Details



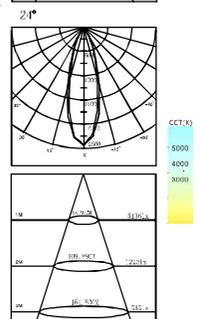
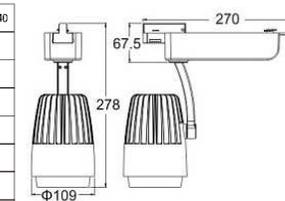
Model	HSL-CGD001XW-30
Power	30W
CRI	RA>80
Beam Angel	15°/20°/24°/40°/60°
Luminous Flux (lm)	>2462lm
Light Source	COB
Product Size	305*274*105mm
Input Voltage	AC100-240V



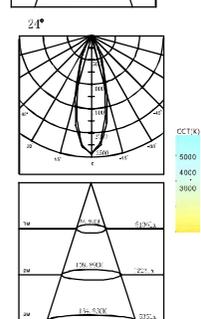
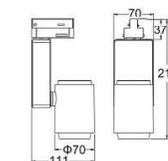
Model	HSL-CGD001XW-40
Power	40W
CRI	RA>80
Beam Angel	15°/20°/24°/40°/60°
Luminous Flux (lm)	>3345 lm
Light Source	COB
Product Size	305*274*105mm
Input Voltage	AC100-240V



Model	HSL-CGD002XW-30/40
Power	30W/40W
CRI	RA>80
Beam Angel	15°/20°/24°/40°/60°
Luminous Flux (lm)	>3326lm
Light Source	COB
Product Size	278*270*109mm
Input Voltage	AC100-240V



Model	HSL-CGD003XW-15
Power	15W
CRI	RA>80
Beam Angel	20°/40°/65°
Luminous Flux (lm)	>1157lm
Light Source	COB
Product Size	211*111*70mm
Input Voltage	AC100-240V



LED ROUND Panel Light

Product Features

1. SMD source
2. High efficiency, High CRI, Ra > 80
3. Side-view lighting, Light softly and uniformity
4. Long Lifespan to 30000hours
5. Dimmable for option
6. With CE, ROHS certification

Application Areas

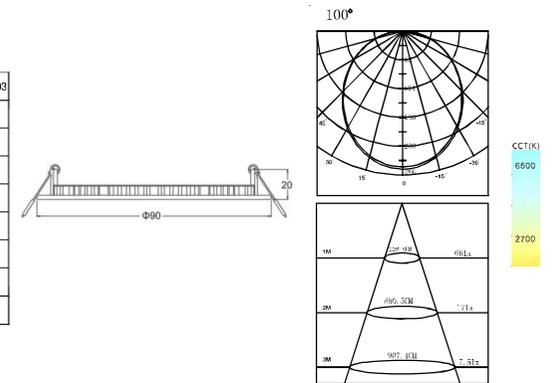
Hotel, Shopping mall, Exclusive shop, Restaurants,
Beauty salon, Museum and other indoor lighting using



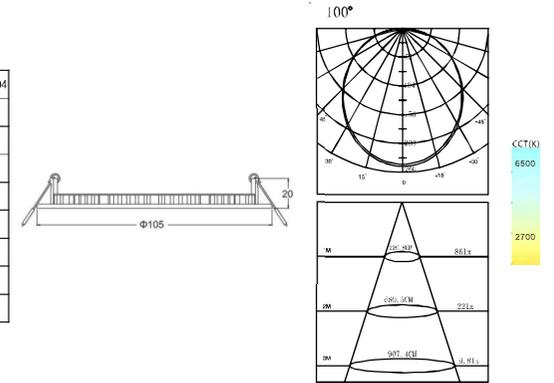
Details



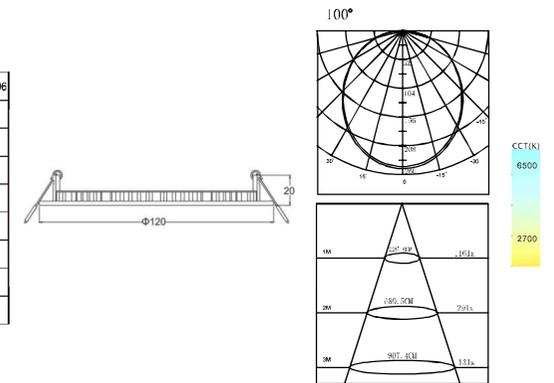
Model	HSL-PRL090XW-03
Power	3W
CRI	RA>80
Beam Angel	100°
Luminous Flux (lm)	200lm
Light Source	SMD2835
Hole Size	Φ68mm
Product Size	Φ90mm
Input Voltage	AC100-240V



Model	HSL-PRL105XW-04
Power	4W
CRI	RA>80
Beam Angel	100°
Luminous Flux (lm)	280lm
Light Source	SMD2835
Hole Size	Φ90mm
Product Size	Φ105mm
Input Voltage	AC100-240V



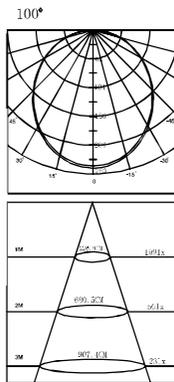
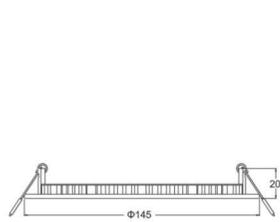
Model	HSL-PRL120XW-06
Power	6W
CRI	RA>80
Beam Angel	100°
Luminous Flux (lm)	400lm
Light Source	SMD2835
Hole Size	Φ105mm
Product Size	Φ120mm
Input Voltage	AC100-240V





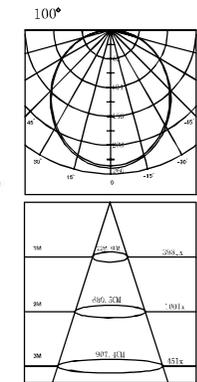
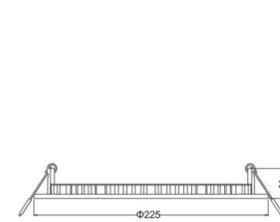
Φ130

Model	HSL-PRL145XW-09
Power	9W
CRI	RA>80
Beam Angel	100°
Luminous Flux (lm)	600lm
Light Source	SMD2935
Hole Size	Φ130mm
Product Size	Φ145mm
Input Voltage	AC100-240V



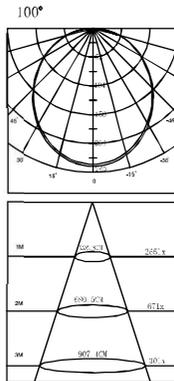
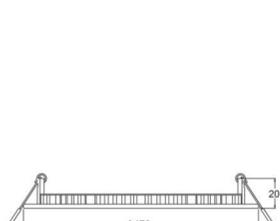
Φ200

Model	HSL-PRL255XW-18
Power	18W
CRI	RA>80
Beam Angel	100°
Luminous Flux (lm)	1400lm
Light Source	SMD2835
Hole Size	Φ200mm
Product Size	Φ225mm
Input Voltage	AC100-240V



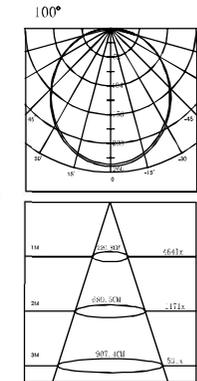
Φ155

Model	HSL-PRL170XW-12
Power	12W
CRI	RA>80
Beam Angel	100°
Luminous Flux (lm)	800lm
Light Source	SMD2835
Hole Size	Φ155mm
Product Size	Φ170mm
Input Voltage	AC100-240V



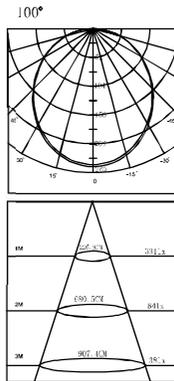
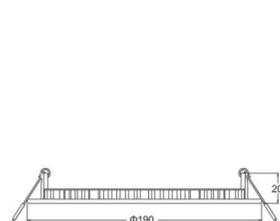
Φ220

Model	HSL-PRL240XW-20
Power	20W
CRI	RA>80
Beam Angel	100°
Luminous Flux (lm)	1600lm
Light Source	SMD2835
Hole Size	Φ220mm
Product Size	Φ240mm
Input Voltage	AC100-240V



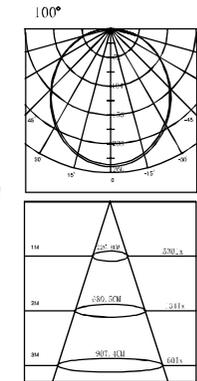
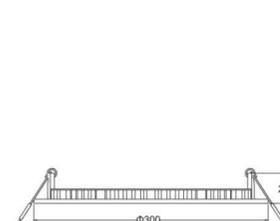
Φ170

Model	HSL-PRL190XW-15
Power	15W
CRI	RA>80
Beam Angel	100°
Luminous Flux (lm)	1200lm
Light Source	SMD2835
Hole Size	Φ170mm
Product Size	Φ190mm
Input Voltage	AC100-240V



Φ275

Model	HSL-PRL300XW-22
Power	22W
CRI	RA>80
Beam Angel	100°
Luminous Flux (lm)	1750lm
Light Source	SMD2835
Hole Size	Φ275mm
Product Size	Φ300mm
Input Voltage	AC100-240V



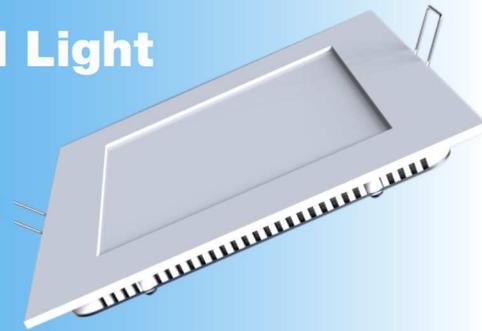
LED Square Panel Light

Product Features

1. SMD source
2. High efficiency, High CRI, Ra > 80
3. Side-view lighting, Light softly and uniformity
4. Long lifespan to 30000 hours
5. Dimmable for option
6. With CE, ROHS certifications

Application Areas

Hotel, Shopping mall, Exclusive shop, Restaurants
Beauty salon, Museum and other indoor lighting using



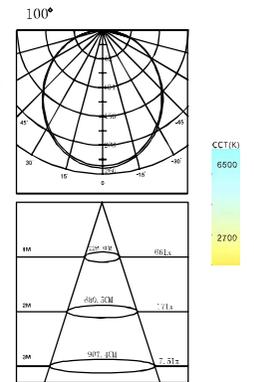
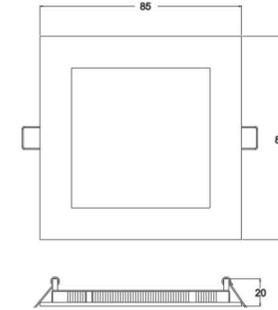
Details



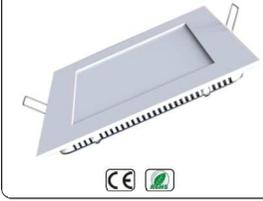
68*68



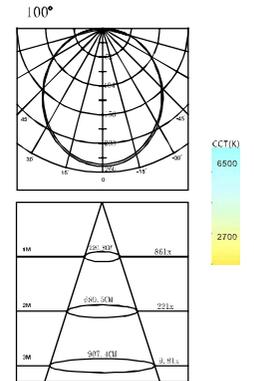
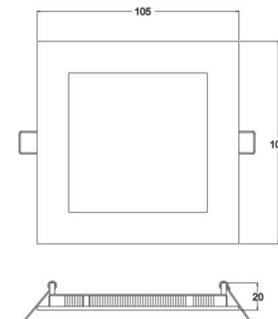
Model	HSL-PSL085XW-03
Power	3W
CRI	RA>80
Beam Angel	100°
Luminous Flux (lm)	200lm
Light Source	SMD2835
Hole Size	68*68mm
Product Size	85*85mm
Input Voltage	AC100-240V



90*90105*105



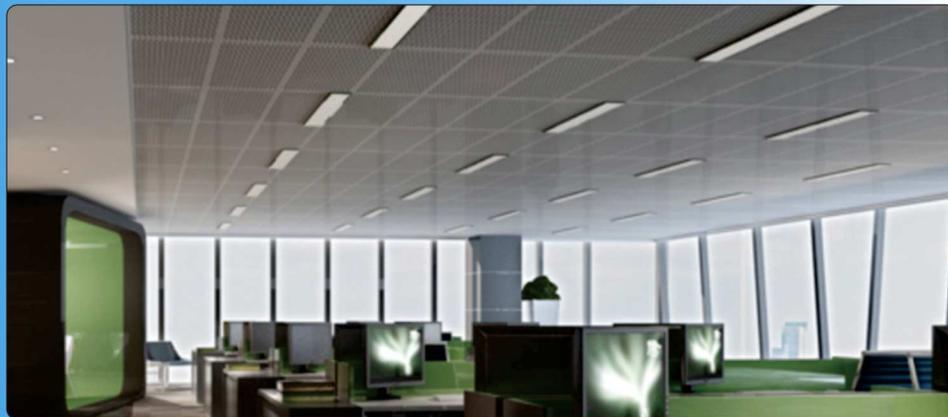
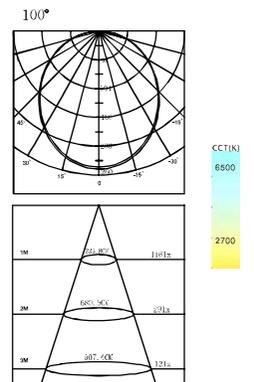
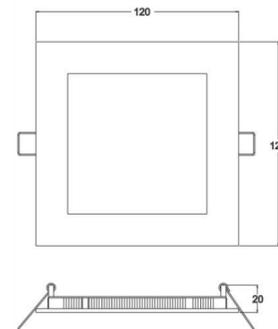
Model	HSL-PSL105XW-04
Power	4W
CRI	RA>80
Beam Angel	100°
Luminous Flux (lm)	280lm
Light Source	SMD2835
Hole Size	90*90mm
Product Size	105*105mm
Input Voltage	AC100-240V

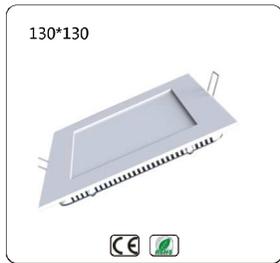


105*105

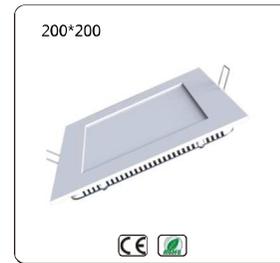
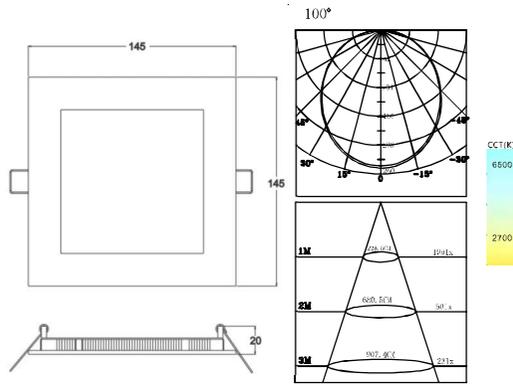


Model	HSL-PSL120XW-06
Power	6W
CRI	RA>80
Beam Angel	100°
Luminous Flux (lm)	400lm
Light Source	SMD2835
Hole Size	105*105mm
Product Size	120*120mm
Input Voltage	AC100-240V

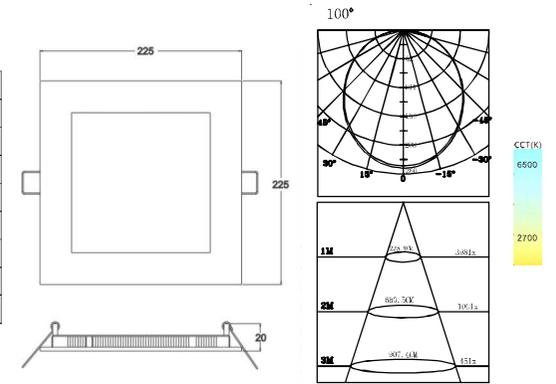




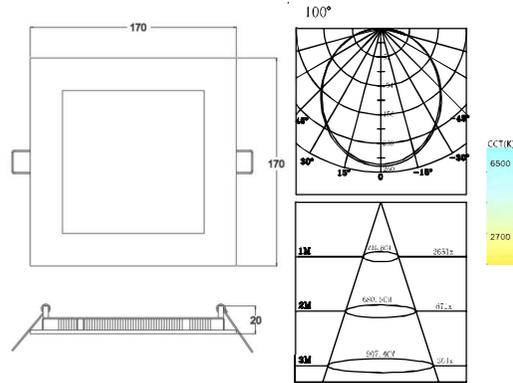
Model	HSL-PSL145KW-09
Power	9W
CRI	RA>80
Beam Angel	100°
Luminous Flux (lm)	600lm
Light Source	SMD2935
Hole Size	130*130mm
Product Size	145*145mm
Input Voltage	AC100-240V



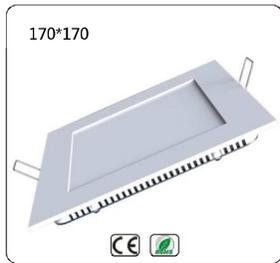
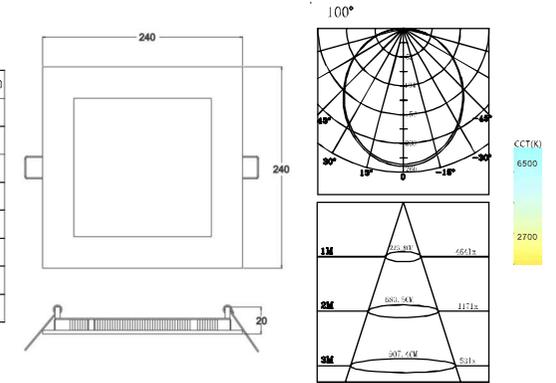
Model	HSL-PSL225KW-18
Power	18W
CRI	RA>80
Beam Angel	100°
Luminous Flux (lm)	1400lm
Light Source	SMD2835
Hole Size	200*200mm
Product Size	225*225mm
Input Voltage	AC100-240V



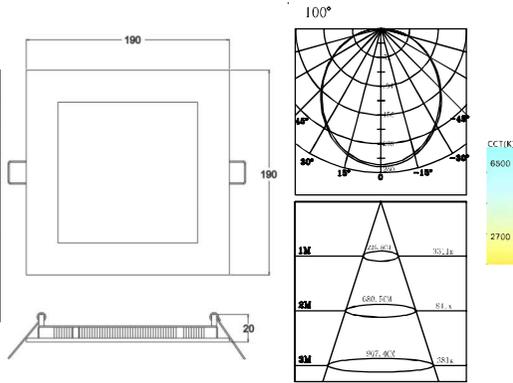
Model	HSL-PSL170KW-12
Power	12W
CRI	RA>80
Beam Angel	100°
Luminous Flux (lm)	800lm
Light Source	SMD2835
Hole Size	155*155mm
Product Size	170*170mm
Input Voltage	AC100-240V



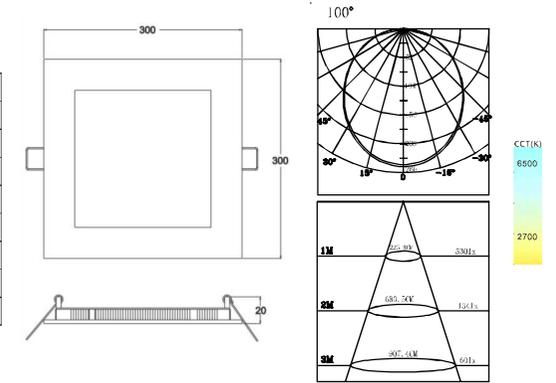
Model	HSL-PSL240KW-20
Power	20W
CRI	RA>80
Beam Angel	100°
Luminous Flux (lm)	1600lm
Light Source	SMD2835
Hole Size	220*220mm
Product Size	240*240mm
Input Voltage	AC100-240V



Model	HSL-PSL190KW-15
Power	15W
CRI	RA>80
Beam Angel	100°
Luminous Flux (lm)	1200lm
Light Source	SMD2835
Hole Size	170*170mm
Product Size	190*190mm
Input Voltage	AC100-240V



Model	HSL-PSL300KW-24
Power	24W
CRI	RA>80
Beam Angel	100°
Luminous Flux (lm)	1200lm
Light Source	SMD2835
Hole Size	275*275mm
Product Size	300*300mm
Input Voltage	AC100-240V



LED Grill COB Light

Product Features

1. COB source
2. High efficiency, High CRI, Ra > 80
3. High power, High lumen
4. Long lifespan to 30000 hours
5. With CE, ROHS certifications



Details

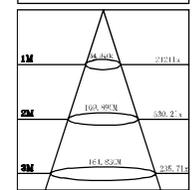
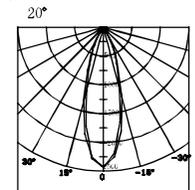
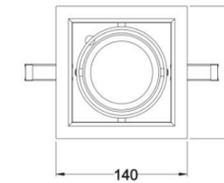


Application Areas

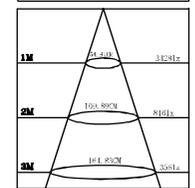
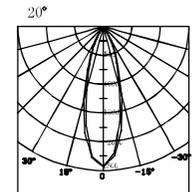
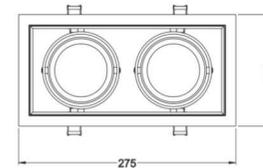
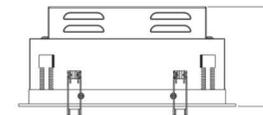
Hotel, Shopping mall, Exclusive shop, Restaurants
Beauty salon, Museum and other indoor lighting using



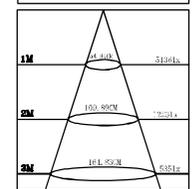
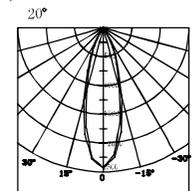
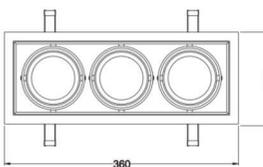
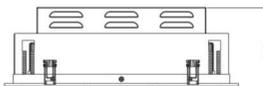
Model	HSL-GSC102KW-10
Power	10W
CRI	RA>80
Beam Angel	20°
Luminous Flux (lm)	700lm
Light Source	COB
Hole Size	125*125mm
Product Size	140*140*125mm
Input Voltage	AC100-240V



Model	HSL-GSC102KW-20
Power	20W
CRI	RA>80
Beam Angel	20°
Luminous Flux (lm)	1400lm
Light Source	COB
Hole Size	260*125mm
Product Size	275*140*125mm
Input Voltage	AC100-240V



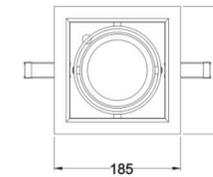
Model	HSL-GSC103KW-30
Power	30W
CRI	RA>80
Beam Angel	20°
Luminous Flux (lm)	2100lm
Light Source	COB
Hole Size	330*125mm
Product Size	360*140*125mm
Input Voltage	AC100-240V



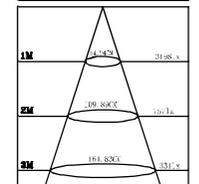
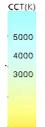
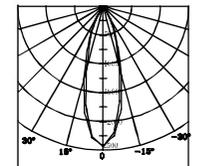
LED Grill COB Light



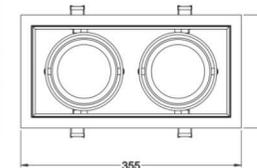
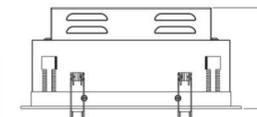
Model	HSL-GSC201XV-20
Power	20W
CRI	RA>80
Beam Angel	24°/36°
Luminous Flux (lm)	1300lm
Light Source	COB
Hole Size	170*170mm
Product Size	185*185*125mm
Input Voltage	AC100-240V



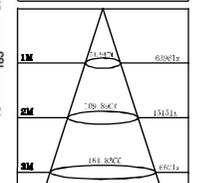
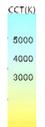
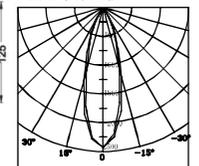
24° 配光曲线图



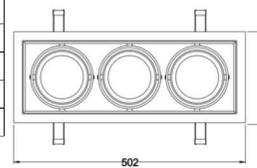
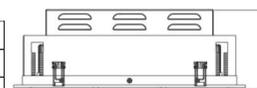
Model	HSL-GSC202XW-40
Power	40W
CRI	RA>80
Beam Angel	24°/36°
Luminous Flux (lm)	2600lm
Light Source	COB
Hole Size	340*170mm
Product Size	355*185*125mm
Input Voltage	AC100-240V



24° 配光曲线图



Model	HSL-GSC203XV-60
Power	60W
CRI	RA>80
Beam Angel	24°/36°
Luminous Flux (lm)	3900lm
Light Source	COB
Hole Size	485*170mm
Product Size	502*185*125mm
Input Voltage	AC100-240V



24° 配光曲线图

